

STOVES 2025

TIMES MAY CHANGE, BUT MY FIRE STILL BURNS.

WWW.AUSTROFLAMM.COM



AUSTROFLAMM

Time for fresh perspectives!





- 04 Success story
- 06 The designer
- 08 Air+ control
- 10 HMS & XTRA Heat
- 14 Consistent

index

Die Öfen

- 20 BONO XTRA
- 22 CLOU XTRA
- 24 CLOU COMPACT
- 26 CLOU COMPACT COOK - NEW
- 28 CLOU XTRA BACK - NEW
- 30 CODY
- 32 DEXTER 2.0 / DEXTER S3
- 36 ELISABETH - NEW
- 38 ELISE - NEW
- 40 FLOK 2.0
- 42 FYNN XTRA
- 44 G1
- 46 HEIDI BACK 2.0
- 48 IVY
- 50 JINI XTRA
- 52 KOKO 2.0 / KOKO XTRA 2.0
- 54 KYLIE XTRA
- 56 LOUNGE XTRA
- 58 LUCA COOK - NEW
- 60 LUCY COOK
- 62 LUX
- 64 PALLAS / PALLAS BACK
- 66 SINA
- 68 SINA XTRA
- 70 SLIM 2.0
- 72 STILA 2.0
- 74 TOWER XTRA 2.0
- 76 UNO XTRA
- 78 WIEN

- 80 Colours / surfaces
- 82 Flue pipes / floor plates
- 84 Overview / models
- 86 Technical Data



1 Sebastian Köck

2 Doris Pfeiffer

3 Ferdinand Huemer

4 Teresa Huemer

5 Andreas Schönfeld

FERDINAND HUEMER,
A VERSATILE PIONEER.

Fire is the source of all things.



THE SUCCESS STORY BEGAN BACK IN 1983 when Ferdinand Huemer, the company founder, hit on the idea of combining efficient wood-burning stoves with innovative design. Then in 1995, the easy-to-use pellet stove was born. Fuelled by creativity, a zest for action, courage and determination, he transformed his company into a permanent fixture on the wood burner market in record time!

AUSTROFLAMM IS A PIONEER in the use of ceramics and in the development and production of new types

of storage materials like keramott, HMS (Heat Memory System) and XTRA storage heat. Our patented technologies have been instrumental in significantly reducing the emissions generated by solid fuels.

ALWAYS ONE STEP AHEAD OF THE ZEITGEIST, we have developed multifunctional cooking and baking appliances. Innovative tools such as the Air+ control system are the perfect complement when it comes to using our resources sustainably!

Thinking and acting sustainably, team spirit and a culture of partnership have been the hallmarks of our company for 40 years.



Our only
teacher
must **Cesare Mont**
ever be
Nature.

When I conceive my projects I always try to create a game of opposites.

Life and emotions, as well as architecture, are born from a contrast between opposites. Dynamism originates both from static and moving components, as well as the contrast between one side in light and the other side in shade, shade producing the forms and our perceptions of objects. Masculine and Feminine, Full and Empty, Warm and Cold, Lightness and Weight. Nature and Artifice.



DESIGN
is our love,
FUNCTION
our life!



CESARE MONTI, Italian architect and designer. After studying architecture at the Polytechnic University of Turin, he received numerous prizes and awards, including the International Casas Award of 2006 and 1st prize at the Torre Littoria Competition in Turin in 2011. Via Salzburg, he found his way to Linz, where he designs stoves in his studio exclusively for Austroflamm.



A. Kravitskiy



For us, innovation
is more than just
hot air.

NEW
Air+

Air+

control - your heating butler

WITH FIREBOX TEMPERATURE SENSOR
AND AUTOMATIC CONTROL!

Your Air+ controller automatically regulates the air supply.

- **CONVENIENT:** Fully automatic damper control for optimum combustion values.
- **ECONOMICAL:** Closes the air supply at the end of combustion and keeps the heat in the stove, preventing heat losses through the chimney.
- **SAFE:** Manually adjustable without tools in the event of power failure.



Heidi BACK, Kylie XTRA, Sina & Sina XTRA → optional with Air+



+ FREE Air+ APP (coming soon)

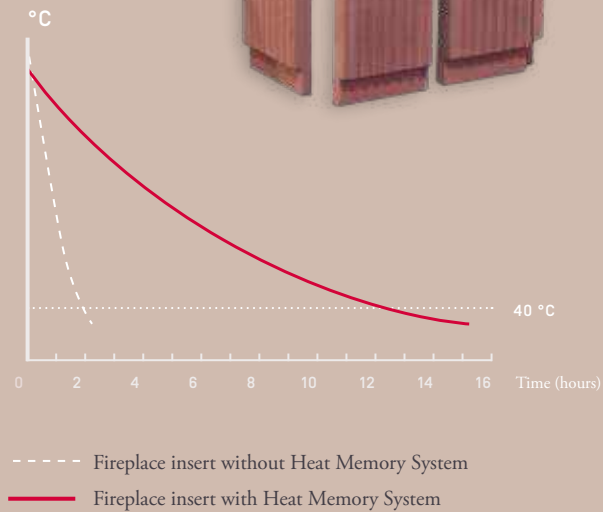
- various statistical data can be called up
- the current status of the stove is displayed
- information on the optimum refilling time



HEAT MEMORY SYSTEM

PATENTED & OUTSTANDING: Store heat easily and efficiently with the patented Heat Memory System from Austroflamm! The heavy hydraulically bonded storage mass (volume weight 2.7 kg/l) boasting a high heat retention capacity can absorb heat directly on the exterior of the firebox and then radiate it again for a prolonged period of time.

IMPORTANT: The storage mass must be placed as close as possible to the source of heat, i.e. the firebox of the stove.



**This is why at Austroflamm we pack the storage mass directly into the stoves.
Needless to say, the installation method is also patented.**

We *keep*
energy *warm*
for a long time!

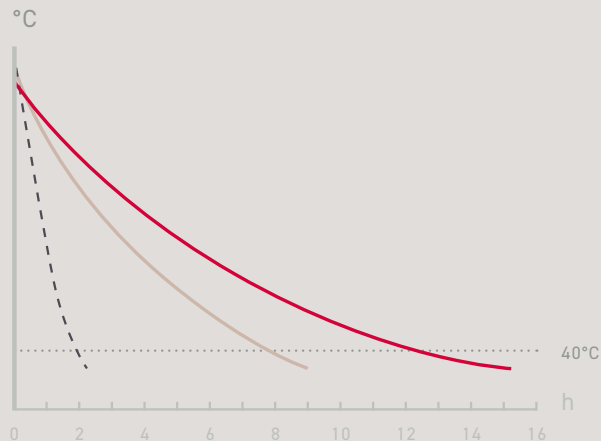
The brilliant idea for lots of **XTRA** warmth.

XTRA HEAT ACCUMULATOR UP TO 12 HOURS **XTRA** WARMTH

A further development of the proven Heat Memory System: we combine the Heat Memory System with a special heat exchanger, pack more than 100 kg of it into the wood burner and furnish it with convection air that can be adjusted and even shut off. The heat is then retained for up to 12 hours!

XTRA EFFICIENT AND SUSTAINABLE WARMTH

Wood-burning stoves fitted with our Xtra storage technology not only warm the room for much longer than conventional models, they also heat up extremely quickly. This is both smart and efficient at the same time because a pleasant room climate is always guaranteed.

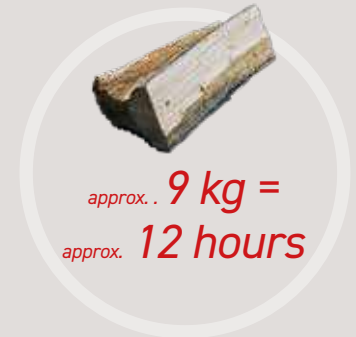


THE FIGURES SPEAK FOR THEMSELVES:

With less than **nine kilos of wood**, you can keep your living spaces pleasantly warm for **up to twelve hours** with little impact on the environment.

Another advantage is that the convection air can be adjusted or shut off, allowing the heat to be emitted particularly evenly. This makes it possible to use the airflow to control or reduce the heating in the room as required.

All Austroflam **XTRA** STOVES are fitted with more than 100 kg **XTRA** storage mass!



XTRA 
STORAGE TECHNOLOGY

AUSTROFLAMM TECHNOLOGY

XTRA HEAT ACCUMULATOR



XTRA storage technology is available as an option or as standard on our design fireplaces and wood-burning stoves, depending on the model.



We have an *eye*
for *sustainability!*

Clean Combustion for a green future.

Keramott
firebox lining

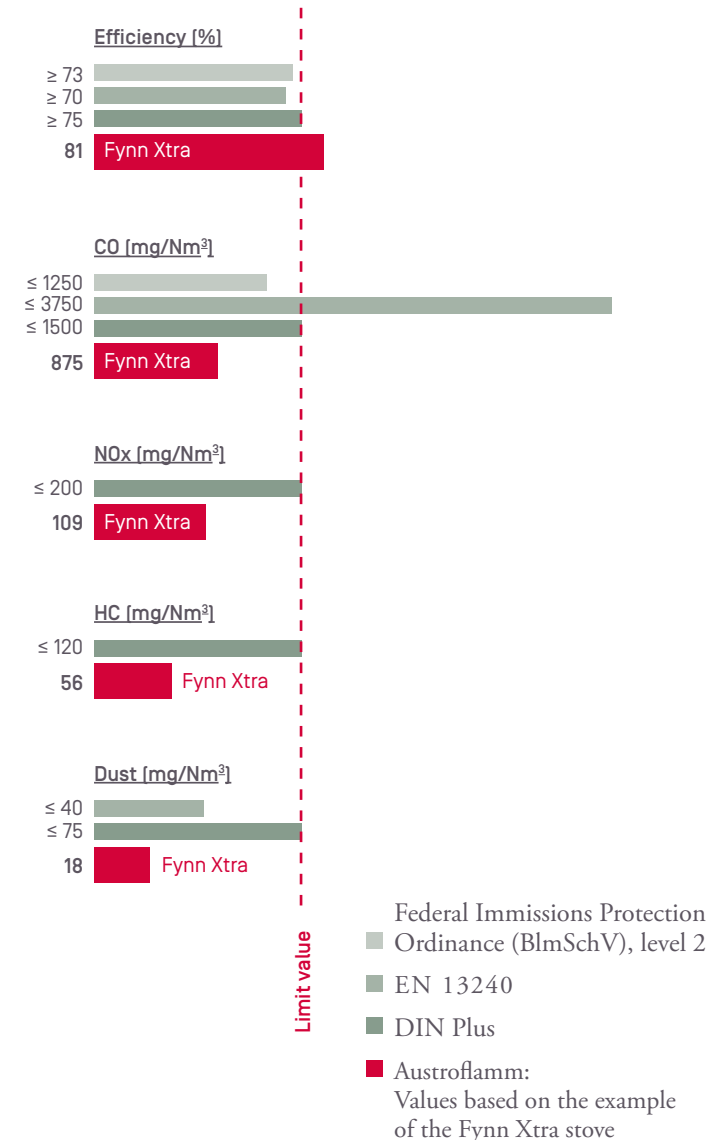
KERAMOTT

STATE-OF-THE-ART WOOD-BURNING STOVES require not only creative design ideas but also enormous development efforts in the field of combustion technology. A significant example of this is the firebox lining: in all Austroflamm stoves these important elements are manufactured from Keramott. Keramott has been specially developed and is available exclusively from Austroflamm. The material is characterised by a special ratio between thermal insulation and thermal conduction, which enables high temperatures in the firebox to be reached more quickly. Only this ensures that combustion is "clean" and low in harmful emissions. The material is highly heat-resistant up to approximately 1,200 °C. This also allows the firebox to "clean burn", whereby the lining absorbs less soot than comparable materials and stays nice and clean. This effect is also enhanced by the surface structure of Keramott.

COMBUSTION TECHNOLOGY

We make every effort - more than we are required to. Throughout most of Europe, the limit values of German Industrial Standard EN13240 must be complied with for domestic heaters. Unfortunately, however, these limit values are easily satisfied and only encompass two parameters. The DIN Plus specification is much stricter, and is sometimes required at a regional level. Stricter limit values have to be observed for a set of five different values. Since several different emission values are interrelated, the requirements are much higher than those of the European standard, which only takes CO emissions into account.

LIMIT VALUES IN ACCORDANCE WITH EN 13240 AND DIN PLUS



WOOD BURNER COOK BOOK



BEING INDEPENDENT
SIMPLY *tastes*
SO MUCH BETTER

RECIPES FOR WOOD-BURNING STOVES




AUSTROFLAMM
www.austroflamm.com

Semolina dumpling SOUP

INGREDIENTS

- 5 tbsp. semolina
- 1 pinch of salt
- 1 egg
- 1 good pinch of baking powder
- approx. 1-2 litres of beef or vegetable stock
- 2 carrots, optional

METHOD

Place all the dumpling ingredients in a bowl and mix. Allow to swell for 10 minutes, then form dumplings using 2 teaspoons. Transfer the dumplings to the simmering soup. Add sliced carrots to taste.

Cover and set aside. Allow to stand for another 10 minutes.

- Holplate - total cooking time approx. 20 minutes.

TIP: Serve with chives!



Cream SOUP

INGREDIENTS

- 1/4 l water
- 4 tbsp. sour cream
- 1 tsp. flour
- salt
- caraway seeds

METHOD

Place the water with the caraway seeds and salt in a pan and allow to boil. Mix the sour cream and flour, stir in and leave to swell for 10 minutes.

- Holplate - approx. 15 minutes

TIP: Tastes really good with some bread cubes!



NEW



Noodle and vegetable SOUP

INGREDIENTS

- soup noodles
- 2-3 carrots, 1 leek, peas or mangetout
- approx. 1-2 litres of beef or vegetable stock



METHOD

Cook the soup noodles - 4 handful per person - in salted water according to the instructions on the packet. Finely slice the carrots and leek.

Bring the soup with the vegetables to the boil and simmer for approx. 5 minutes. Pour the soup over the noodles and serve with chives!

- Ho-plate - total cooking time approx. 20 minutes.

TIP: This also tastes delicious with tortellini!

Balsamic BEEF RAGOUT

INGREDIENTS

- 250 g onions
- 400 g carrots
- 800 g beef
- salt, pepper, rosemary sprigs
- 3 tsp. each of olive oil and tomato purée
- 500 ml meat stock
- 100 ml each of balsamic vinegar, Marsala and red wine

METHOD

Brown the meat in a roasting tin with olive oil and finely chopped onions. Add the carrots and tomato purée and deglaze with balsamic vinegar. Add the meat stock, rosemary sprigs, Marsala and red wine, then cover and place in the baking compartment.

- Cover and cook in the baking compartment for approx. 2.5 hours at 180°.

TIP: Serve with parmesan, potato dumplings, linguette salad...



Crispy ROAST PORK

INGREDIENTS

- approx. 1.5 kg loin of pork/neck of pork with bone and rind (cut into a crisscross pattern)
- 2 onions, 3 carrots, 2 cloves of garlic
- 2 tbsp. caraway seeds, salt, pepper, butter/margarine
- 500 ml vegetable or meat stock (a portion may also be substituted for beer)

METHOD

Rub the meat well with the garlic, caraway seeds and salt and place with some butter/margarine in an ovenproof dish with a lid. Add the roughly chopped carrots, onions and garlic. After approx. 1 hour, pour in the stock. Stoke up the fire approx. 1/4 hour before the end of the cooking time and - for some tasty crackling - roast uncovered at 250° C.

- Roast in the baking compartment for approx. 1.5 hours at 180° + 15 minutes at 250°.

TIP: Potato halves can also be added to the dish half an hour beforehand. Bread dumplings and white cabbage boiled in salted water with some caraway seeds go well with this, too.




BISCUITS

INGREDIENTS

- 100 g sugar
- 200 g cold butter
- 300 g flour
- 1 egg

METHOD

Knead the ingredients until they form a smooth dough, then chill for one hour. Roll out on a floured surface and cut out your favourite shapes.

- Bake in the baking compartment for approx. 8 - 10 minutes at approx. 180°.

TIP: Delicious with strong teas, chocolate sprinkles, nuts... Also delicious: sandwiches 2 minutes together with some jam (leave the jam with a dash of rum in the baking compartment).



Honey LEBKUCHEN

INGREDIENTS

- 250 g rye flour
- 50 g sugar
- 1 tbsp. Lebkuchen (gingerbread) spice
- 1/2 tsp. bicarbonate of soda
- 25 g butter
- 120 g honey
- 1 egg
- 1 tbsp. water
- egg for brushing (beaten)

METHOD

Knead the flour, sugar, baking soda, spices and butter. Warm the honey slightly, mix with the egg and slowly work into the dough. Knead by hand or with a stand mixer and chill for at least 3 hours. Roll out, but not too thinly, and cut out various shapes using biscuit cutters. Place on a baking tray lined with greaseproof paper and brush with the beaten egg.

- Bake in the baking compartment for approx. 10-12 minutes at approx. 180°.

TIP: If the gingerbread has hardened, simply place half an apple in the biscuit tin.



Kaiser-SCHMARRN

INGREDIENTS

- 4 eggs
- 4 tbsp. flour (plain)
- 1 tbsp. granulated sugar
- 60 ml milk
- vanilla sugar
- sultanas (optional)
- butter (for baking)
- granulated sugar, and flaked almonds (if desired)

METHOD

Beat the egg whites with a tablespoon of granulated sugar until stiff. Carefully stir in the remaining ingredients (add sultanas if desired). Grease the pan, pour in the batter and cook in the baking compartment until golden brown. Tear into pieces using a spatula, turn over and sprinkle with a little granulated sugar (and flaked almonds if desired). Finally, caramelize again briefly in the oven.

- Cook in the baking compartment for approx. 20 minutes at approx. 200°.

TIP: Serve with icing sugar and compote (apple, plums, cherries) or a scoop of vanilla ice cream.




TO CELEBRATE OUR 40TH ANNIVERSARY, WE HAVE FORKED UP A TASTY SURPRISE FOR YOU!
 Heating while cooking something delicious using the heat from the stove is not only sustainable, it's also economical!
Tip: the new stove cookbook is also available for download on our homepage!



S U S T A I N A B L E
WOOD-BURNING STOVES
B Y N A T U R E !

Renewable fuels like wood and pellets guarantee our independence!

State-of-the-art storage technologies coupled with extremely low-emission combustion ensure that you are right on track when it comes to environmental protection.

The supplementary cooking and baking functions provided on some models are a fantastic bonus!

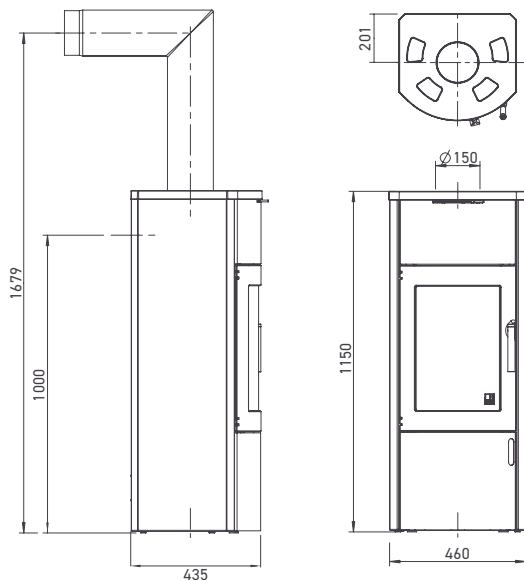
Discover even more „natural wonders“ at www.austroflamm.com



BONO XTRA
PURE PLEASURE

FOR PURISTS

Actually, Bono should be called "BUONO" (Italian for good), although "good" would be a slight understatement. "Perfect" is certainly the most fitting description for this all-rounder: ideal heat output for small rooms or even low-energy houses, a panoramic view of the dancing flames and a simple, TIMELESS DESIGN makes Bono Xtra a perfect storage heater for any room and for many years to come.



The soapstone cover (rear connection) of Bono Xtra with lockable convection air vents.



Neatly concealed: behind a panel are the ash pan, the riddling grate actuator and the controls for primary and secondary air.



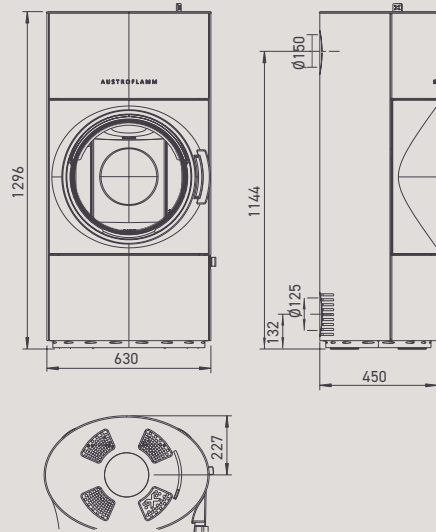
Complete range of fittings: Bono Xtra with soapstone side panels (30 mm thick), soapstone cover and plenty of heat storage.

BONO

XTRA



CLOU XTRA A ROUND AFFAIR



The wood box echoes the design of the round cast-iron door.

FOR LOVERS OF FORM

A GENUINE HIGHLIGHT for everyone who is looking for something completely different: round doors, oval body and a large door handle made of elegant wood to create an extraordinary blend that is certainly not to be found in every living room. Equally special, though not unusual for Austroflam models, is the fantastic Xtra heat storage system for up to 12 hours of heat retention.

Another striking feature of Clou Xtra: its shallow depth.



Elegant grain of the wooden handle

CLOU XTRA



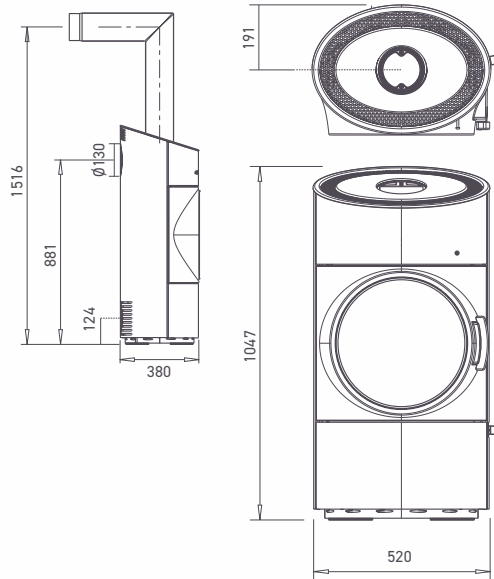
C L O U COMPACT



CLOU COMPACT
THE YOUNG WILD ONE

A STRIKING PERFORMANCE

Clou Compact is the perfect stove for your first apartment, holiday homes, smaller rooms and anyone who loves a crackling fireplace. Heat is easily and efficiently stored thanks to the patented HEAT MEMORY SYSTEM from Austroflamm. Now also fitted as standard in the Clou Compact.



The wooden shelves echo the round cast door - a perfect duo.



C L O U
C O M P A C T C O O K

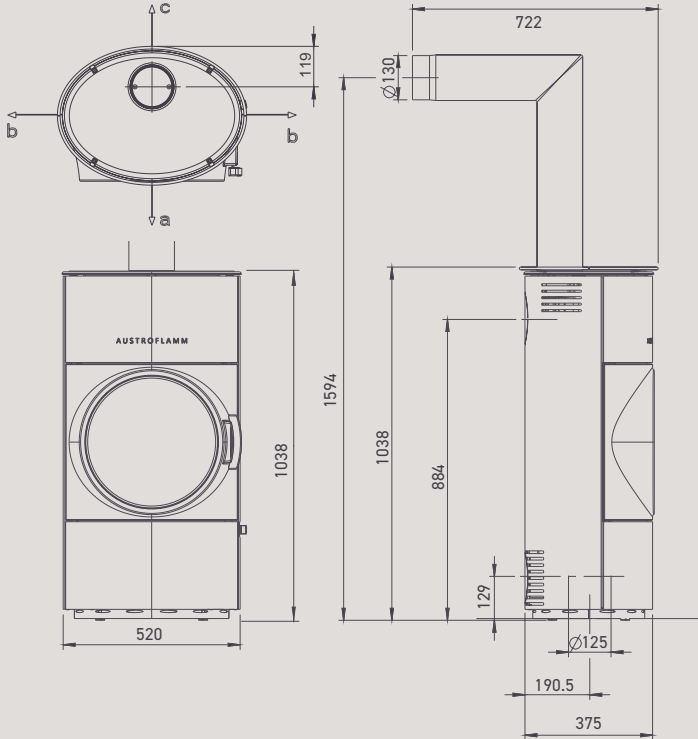


NEW
CLOU COMPACT
COOK

OUR CLOU FAMILY IS
GROWING TASTEFULLY

CLOU COMPACT COOK

It's a well-rounded piece of work: noble, independent and economical! Perfectly executed with prominent cast-iron door and fitted with a solid cast-iron hotplate, it's a real gem. You can also use its crackling fire at the same time for your favourite dishes - that's the CLOU!



Elegant design



Solid hotplate, optionally with guard rail



Flue outlet upwards or backwards



C L O U
X T R A B A C K

AUSTROFLAMM

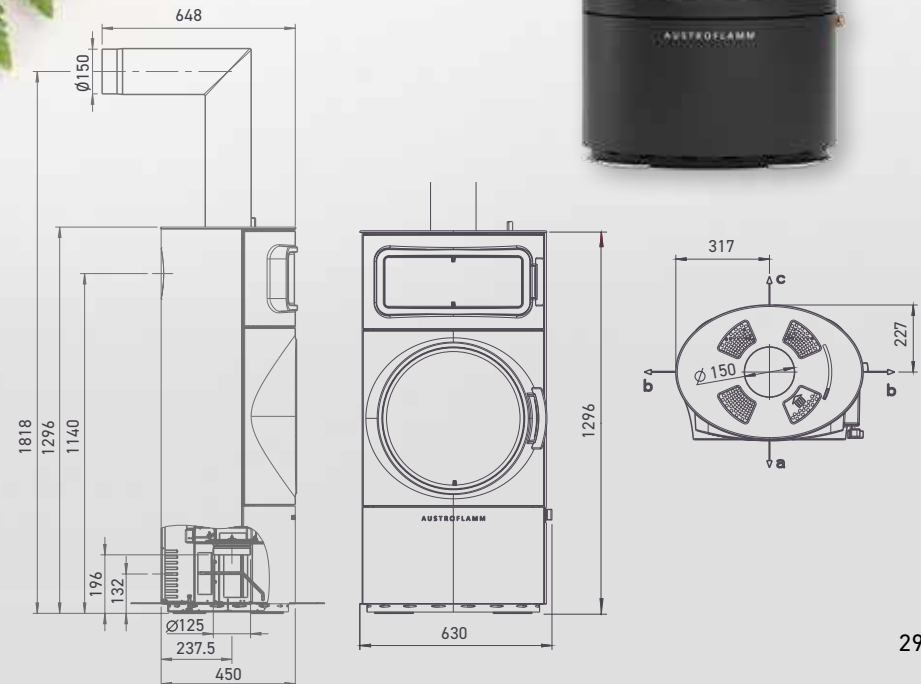
TRAILBLAZING
IN HEATING & SAVING

CLOU XTRA BACK

Don't put this one on the backburner! Our CLOU XTRA BACK not only features XTRA storage technology for XTRA economical heating - it can now also supply your daily bread. An attractive baking compartment with a cast iron door makes it a recipe for success!

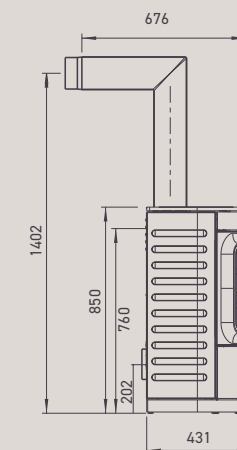
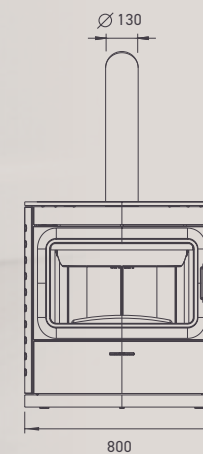
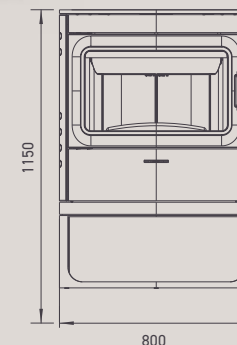
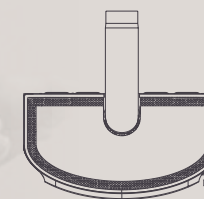


- Solid cast-iron baking compartment door & Keramott lining
- XTRA heat storage - particularly economic



CODY - OUR CENTREPIECE

Doesn't every home deserve a centrepiece? Cody, our new member of the family with its impressive firebox, is happy to occupy this place despite its compact design. The large cast-iron door with its curved glass pane provides a view of the crackling fire. And no matter whether ceramic or steel panelling, whether pedestal with a large wood compartment or pure fireplace stove - this show-piece simply WARMS YOUR HEART.



C O D Y



Dexter 2.0



Also available with black Keramott!

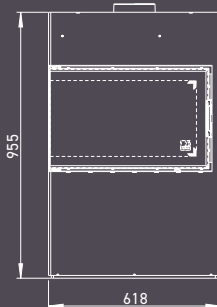
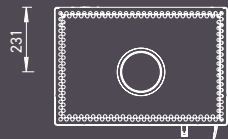


Dexter S3 side view

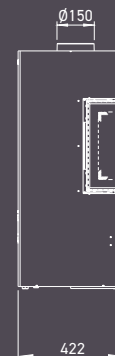
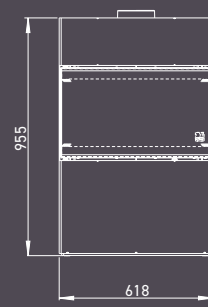
DEXTER 2.0 / DEXTER S3

Do you know “the Thousand and One Nights“? Dexter will enchant you with a similar number of possible configurations. You have the choice between a corner door (Dexter 2.0, short side on the left or right) or three-sided glazing (Dexter S3). And the clever side boxes, with their open side also serving as a wood storage compartment, transform Dexter into a genuine furniture system. It’s even possible to pack the top boxes with Heat Memory System.

DEXTER 2.0



DEXTER S3



DEXTER 2.0



INFINITE CONFIGURATIONS

Dexter 2.0 left



Dexter S3



Dexter 2.0 right



DEXTER S3
CONFIGURATIONS WITHOUT END



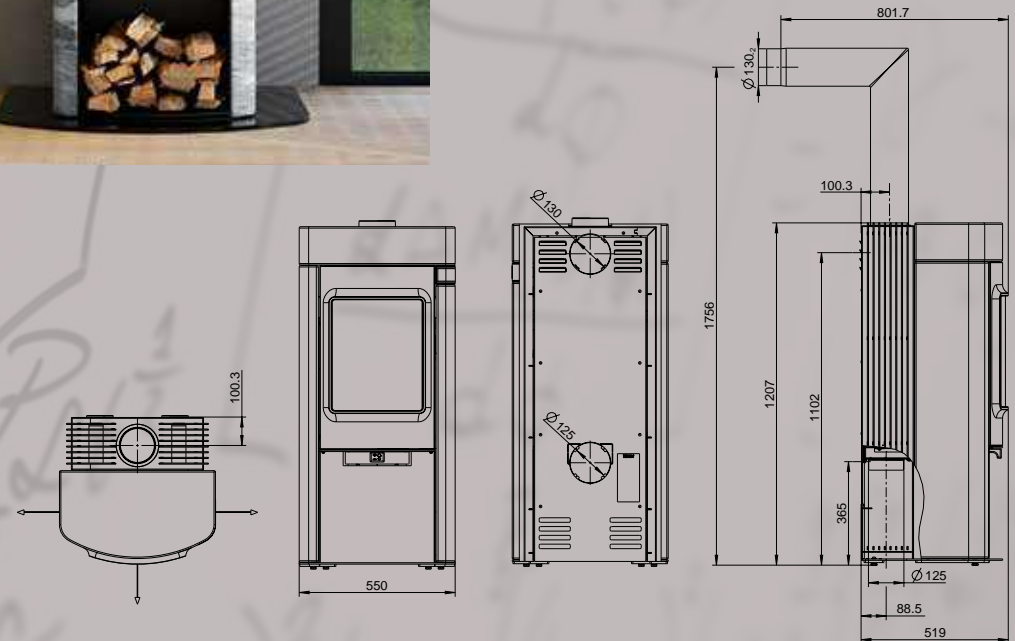
DEXTER S3

ELISABETH
EINSTEIN WOULD BE PROUD OF US!



FIRE + STONE^{137KG} = LONG WARMTH²

We have achieved an excellent design result here with 137kg natural stone cladding available in 3 different colours. The more innovative door mechanism - no hot handle - completes the calculation.



NEW
ELISABETH

ELISABETH





ELISE

NEW
ELISE



Practical - only one primary- and secondary air lever



Elegant new opening mechanism made of wood

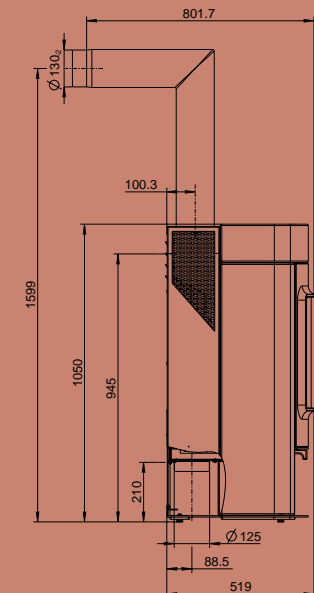
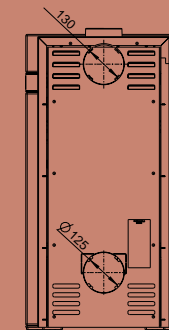
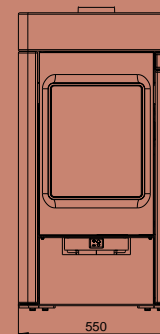
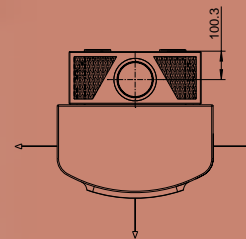
ELISE - A NATURAL BEAUTY

HEATING UP RELAXEDLY AND LOOKING SO BEAUTIFUL IN THE PROCESS

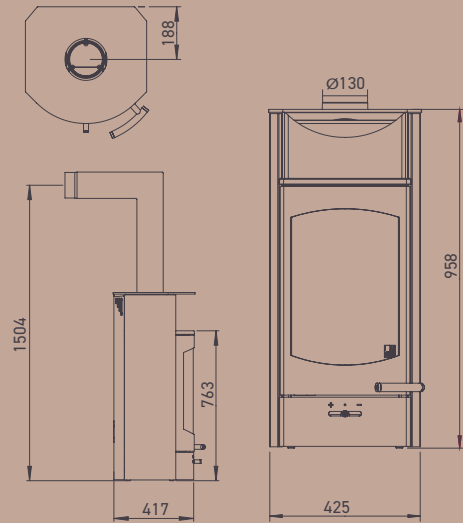
The elegant natural stone cladding and a firebox lining made of high-quality white Keramott make this stove a really strong energy-saver!

The compact size and a beautiful solid cast-iron door are also perfect.

The elegant viewing window for a magnificent play of flames invites you to relax. The primary- and secondary air can be conveniently operated via one lever.



FLOK 2.0
AMAZINGLY VERSATILE



Flok 2.0 with side cladding, lid and warming compartment made of soapstone.



Practical: a warming compartment for tea or other good things.



With an optional turning plate, Flok 2.0 can be rotated 360°, with or without pedestal.

FLOK 2.0, THE MASTER OF TRANSFORMATION.

Flok 2.0 offers a considerable amount of heat in a compact format: a compact stove with flair and a spacious firebox that provides a good view of the dancing flames. The optional pedestal, which is also available with a turning plate on request, makes Flok 2.0 a genuine master of transformation.

Although still small, it surpasses itself. With a ceramic warming compartment and optional soapstone cladding, Flok 2.0 showcases itself as an individual design. Also available with the proven HEAT MEMORY SYSTEM.

Fig. right: Flok with steel casing and optional base

F L O K 2 . 0



F Y N N X T R A



PERFECTED FORM

Delicate curves, soft shapes, incredible elegance. Yes, we are talking about Fynn Xtra. Combine different front panels above and below the door to suit your taste.

You can choose from steel, glass or ceramic! The 30 cm high pedestal with a practical wood storage compartment is available as an attractive accessory, and our patented Xtra System provides up to 12 hours of storage heat!



XTRA
storage technology



The plinth including a wood storage compartment is available as an accessory

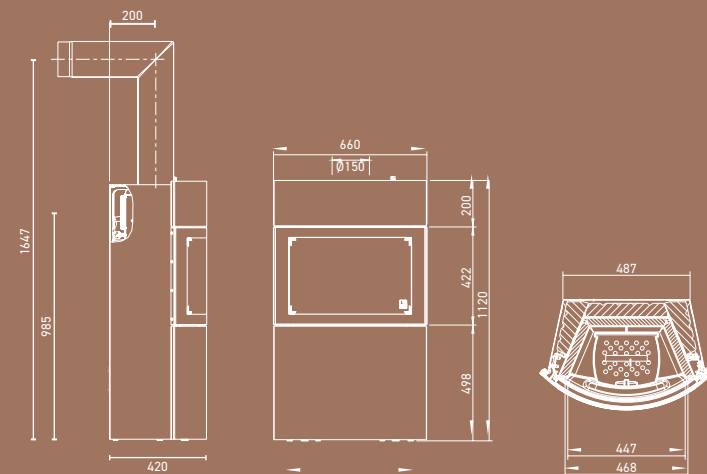
TWO
NEW
DESIGNS



Ceramic cladding:
glossy Moonstone corrugated / glossy Tourmaline corrugated



Ceramic cladding:
white corrugated / matt black corrugated



F Y N N
X T R A

X T R A



G 1



G1
MY TASTE EXACTLY

G1 CAST IRON IN ITS MOST BEAUTIFUL FORM

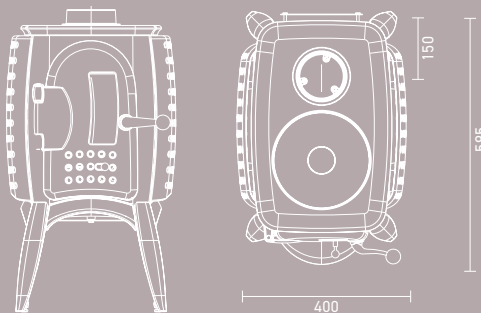
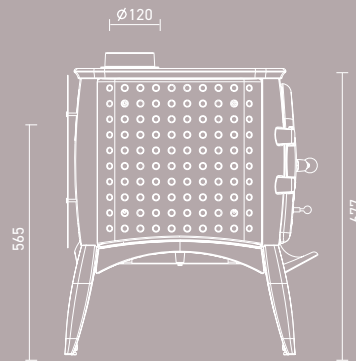
G1 provides a taste of the past in the present. The design evokes past times and awakens many a nostalgic memory. But don't let the retro look fool you. Inside you will find state-of-the-art firing technology. With its practical cooking plate, G1 is guaranteed to be the star at your next tea party.



G1 without convection panel.



G1 with cooking plate and convection panel (accessory).



HEIDI BACK 2.0
INDEPENDENT HEATING / COOKING / BAKING - THAT'S WHAT WE AUSTRIANS LOVE!

QUALITY AND A PIONEERING SPIRIT MAKE OUR
STOVES **VERSATILE ENERGY SAVERS**

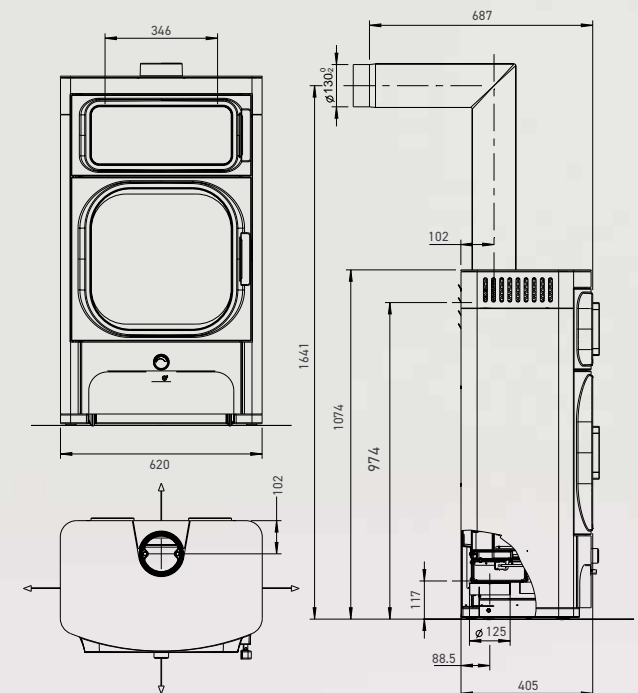
A large Neoceram plate throughout offers plenty of space for keeping warm, while you can prepare roasts, cakes, pizza and bread in the baking compartment. Naturally, we have put a lot of thought into the enjoyment factor of heating. A generous cast iron door allows an unobstructed view of the dancing flames while you enjoy the cosy warmth. The icing on the cake is the new Air+ air control which is available as an accessory and automatically regulates the air supply, ensuring perfect heating results!



Log drawer optional



Fine-grained cast-iron meets elegant wood





HEIDI

BACK 2.0

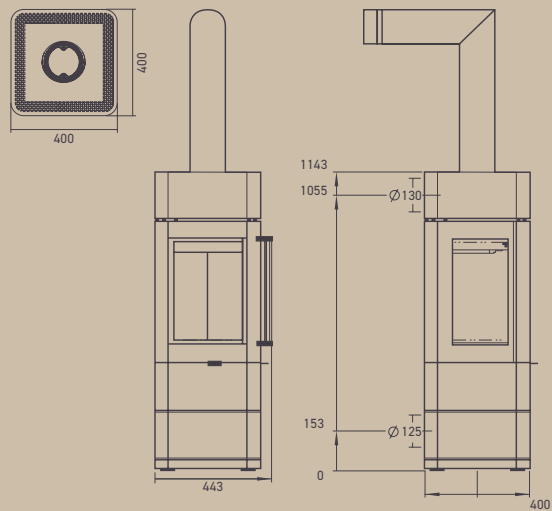
I V Y



IVY FLAMES WITHIN A FRAME

EVERGREEN FOR INDIVIDUALYSTS

The linear design with its square base loses its hardness thanks to the rounded corners, but not its distinctiveness and elegance. With a wide range of options for enhancement, Ivy becomes more than just a fireplace, it becomes a piece of furniture and an eyecatcher, combining functionality with form. The glass inserts on three sides provide a direct view of the flames, literally serving as their frame.



A view into the fire from three sides. A lot of space for firewood and even more: Ivy with a plinth box, side boxes and log drawers.

Fig. left: IVY with large and small side box and log drawers

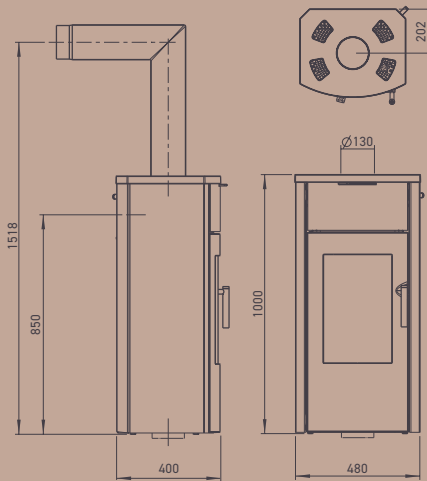
JINI
XTRA



JINI
ANYTHING BUT ORDINARY

JINI / JINI XTRA

Inviting, casual, timeless and snug. With clear lines, simple shapes and perfect proportions, Jini XTRA appeals to everyone who likes an uncomplicated and relaxed life. Extremely sophisticated in terms of combustion technology, it is not only a long-lasting design classic, but also a premium-quality heat source guaranteed to make you feel good. Large-format fire naturally included with up to 12 hours of stored heat!



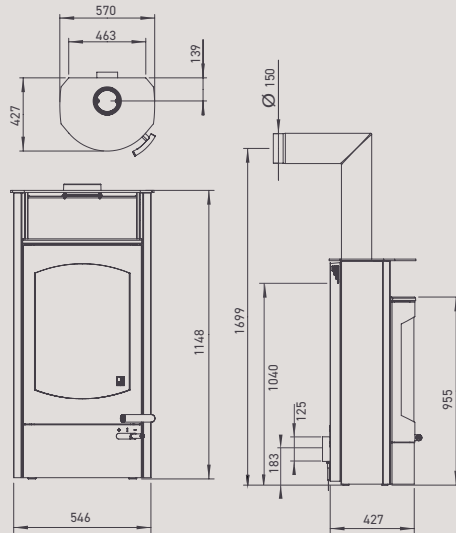
No more bending down:
The air regulator is positioned at
a comfortable height just below
the top plate.



A wooden door handle
that's a pleasure to hold.

KOKO A MODERN CLASSIC

KOKO 2.0

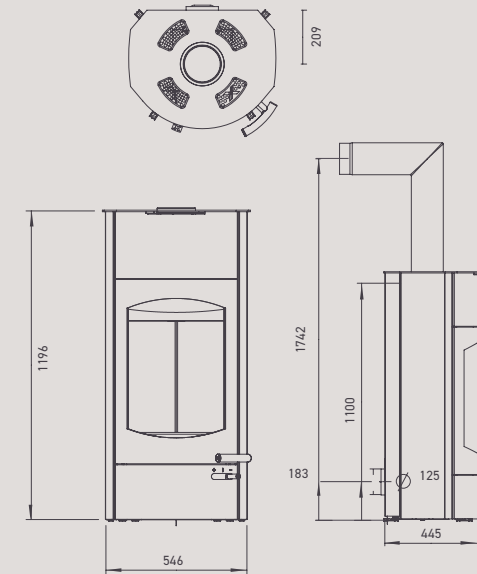


Koko 2.0 with soapstone warming compartment

KOKO XTRA 2.0



Handle and air controller as an elegant combination of stainless steel and wood.



A MODERN CLASSIC - the “little black number“ of our collection, so to speak: simple, timeless elegant and guaranteed to be the perfect choice for every occasion and every environment. A matching pedestal is also available on request. The large rounded glass pane offers a maximum view of the flames and the warming compartment helps to prolong those wonderful hours spent in front of the stove with tea or punch. Koko XTRA 2.0 features a wealth of heat storage in place of the warming compartment.

Fig. right
Koko Xtra 2.0 with steel case and optional base

K O K O 2.0 /
K O K O X T R A 2.0

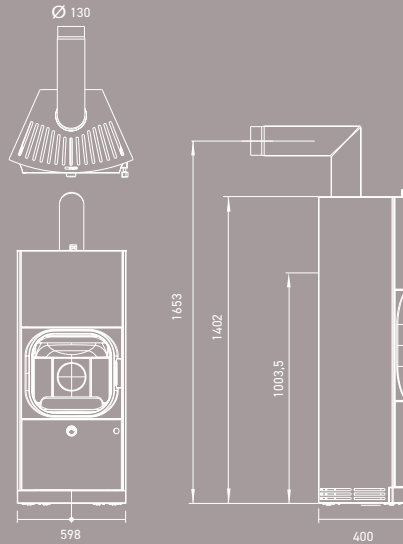
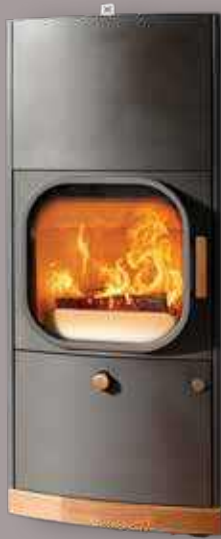




KYLIE

XTRA





KYLIE XTRA

TIMELESSLY BEAUTIFUL, Kylie Xtra is the ideal complement to every room and personal lifestyle. With its basic conical shape, it tapers towards the back and therefore fits particularly well into corners. The material combination plays with contrasts: the classically robust cast-iron door and soft, finely crafted wooden elements elegantly round off the overall picture. And so that the flames always blaze away to perfection without you having to contribute anything, we have developed the Air+ automatic air control (accessory).



The practical wood storage compartment is concealed behind a panel.



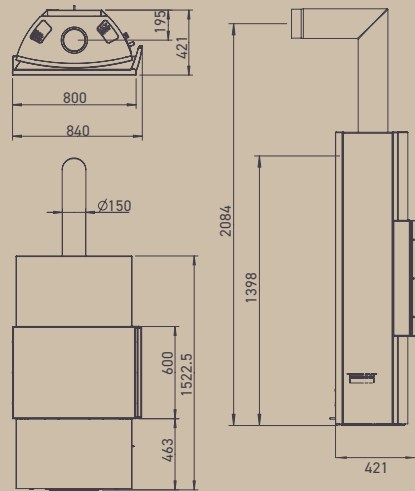
The convection air outlets in the cover can be regulated.

LOUNGE

XTRA



A FIRE IN WIDE-SCREEN FORMAT
THE NEW XTRAVAGANCE



LOUNGE XTRA

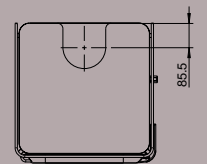
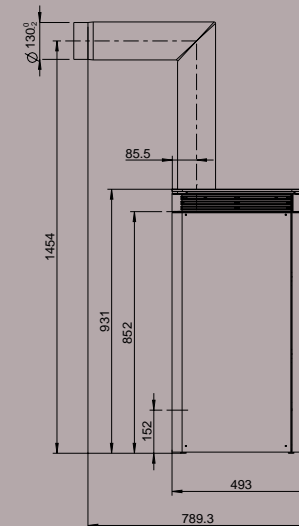
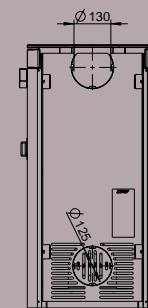
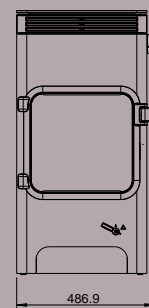
The flat screen among our stoves! Gazing at the lounge becomes more appealing and much more relaxing than watching TV: fire in truly wide-screen format. Despite its size, the shallow depth lends the lounge a slim and extremely elegant silhouette. And the unique Xtra heat storage system is on board right from the start.





ONE COOK FOR ALL OCCASIONS!

Being able to relax while heating and cooking with the new Luca Cook is not only a real pleasure but also ecological and economical. The elegant, quality stove is equipped with innovative door handle technology and a double-glazed cast iron door. Thanks to the large hotplate - available with optional safety rail - your kitchen will stay warm even if there is a power cut!



NEW
LUCA COOK



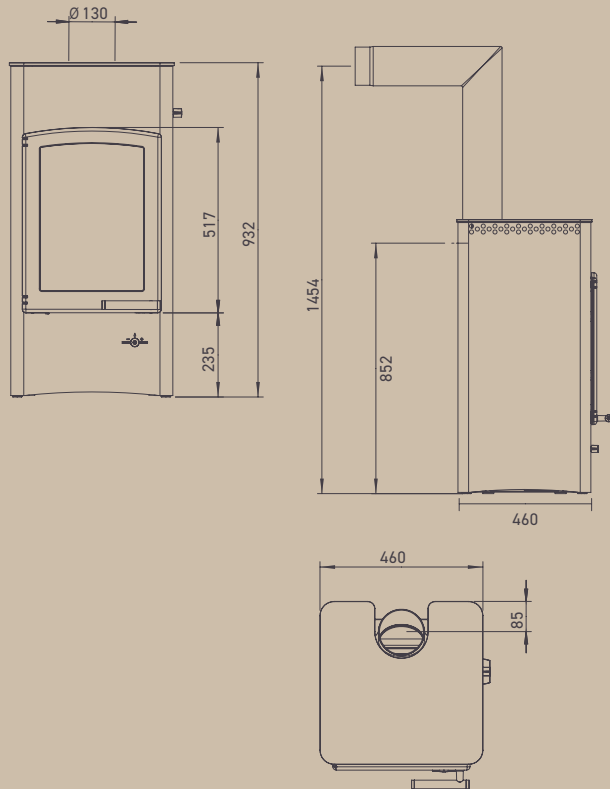
LUCA COOK

LUCY
COOK



LUCY COOK - 2 STOVES IN ONE

The head chef's recommendation: delicious dishes, prepared with Lucy Cook. The large, full-surface cooking plate offers maximum flexibility for large and small saucepans. And even if you only want to use Lucy Cook for warming up and dreaming, then this is also the ideal solution for you. After all, once the saucepans are removed, you would never know she had a passion for cooking.



You can cook with Lucy Cook, but you don't have to. Even as a traditional stove, its charm will captivate you.



The solid cast-iron door emphasises its robust appearance.



There is space for plenty of saucepans on the cooking plate (46 x 46 cm).

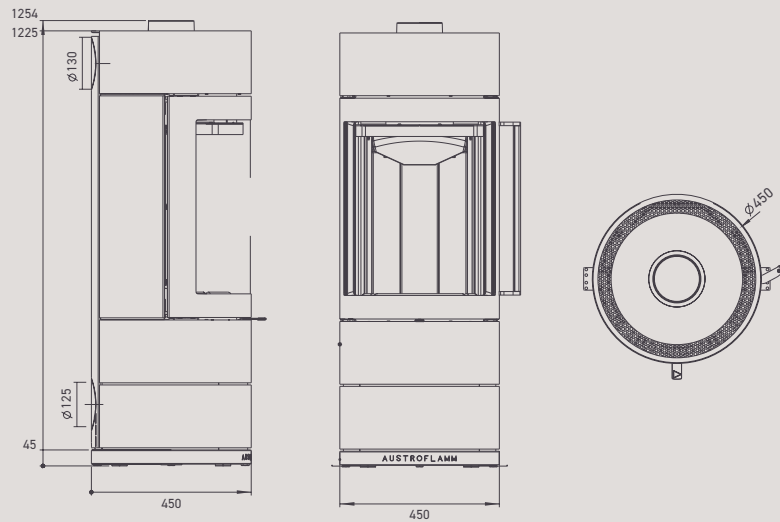
L U X



LUX
A DELUXE ITEM OF FURNITURE IN ITS OWN RIGHT

LUX COMES FROM THE LATIN FOR LUXURY

If you like ROUND SHAPES, then Lux is the perfect choice for you! The circular base and huge curved glass pane show you the play of flames in a wide format. With side boxes that can be attached on the left and right, you can expand Lux to create your own individual furniture system. Practical and beautiful for home accessories, throws, magazines and everything you need for a sense of well-being at home. The wooden handle and pedestal emphasise its warm character and transform the individual attachments into a visual unit.



Small side box left and right
and wooden drawer.



Pictured left: already an elegant classic: Lux with top box
and large side box and two wooden drawers.

PALLAS
MAGIC MOMENTS FOR WONDERFUL WARMTH

Fig. right: Pallas Back with soapstone cladding. Cast-iron hotplates, baking compartment and optional log drawer

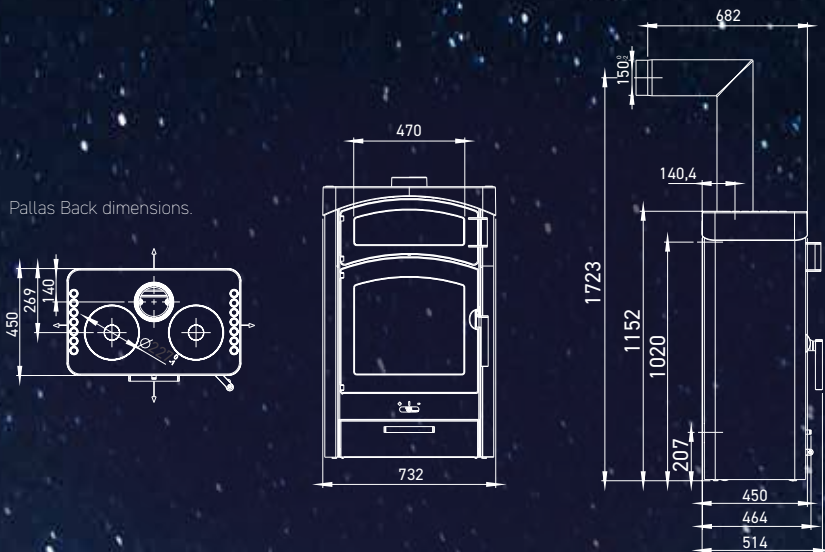


PALLAS / PALLAS BACK

NATURALLY HEATING, COOKING, SAVING AND BEING SO COSY IN THE PROCESS.

The Pallas Back stove is available in conventional form with steel, ceramic or soapstone cladding. The firebox lining made of high-quality white Keramott makes it a really strong energy-saver!

Pallas Back dimensions.



Pallas also available in many ceramic colours



Log drawer optional



Pallas with steel case and 3 hotplates

PALLAS

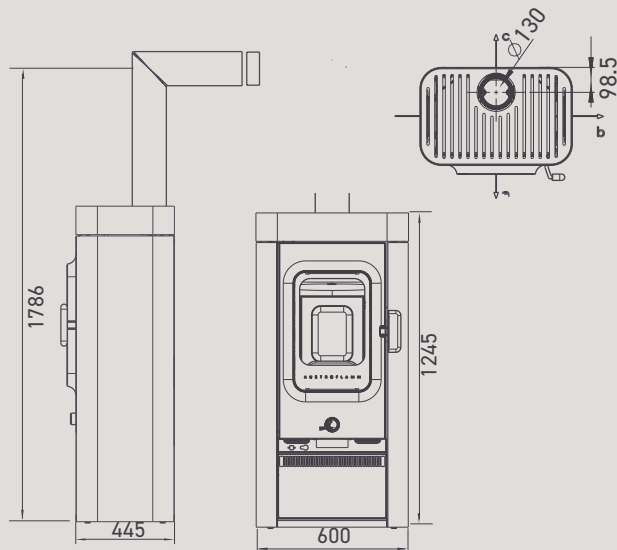
BACK



HEATING AND SAVING
MAKES SENSE

SINA - SENSIBLE SPACE SAVER!

This stove is captivating with its narrow rounded design and conjures up a great atmosphere without taking up room. The integrated wood storage box lends this little miracle a rustic charm and saves a lot (log) of space!



- optional Air+ system
- integrated wood storage box
- cast-iron double-glazed door





S I N A

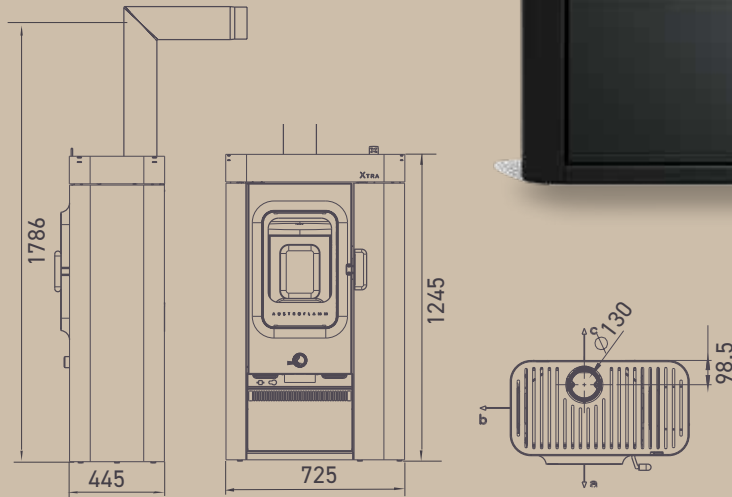


SINA
XTRA

WE FIND IT XTRA GOOD
TO SAVE SPACE AND ENERGY

SINA XTRA - SENSIBLE ENERGY SAVER!

This elegant stove is also available in the Xtra version - more stored heat - more saving - more environmental protection. This wood-saving environmentally friendly storage technology is integrated here in an Xtra-stylish way and provides even longer lasting warmth.



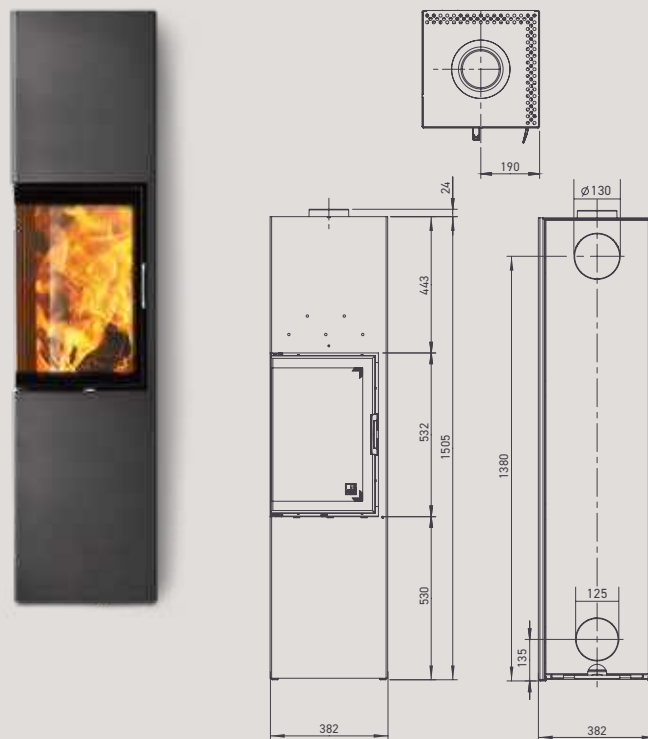
- optional Air+ system
- integrated wood storage compartment
- cast iron door with double glazing



SLIM FOR A SLENDER LOOK

SLIM 2.0

On we go to the next level - Slim 2.0 has arrived! Tall, slender and equipped with a sophisticated door extending across the corner. The door can be hinged on the right or left. As a special bonus, this design piece can even be equipped with the Heat Memory System for heat storage. With its simple square shape, Slim 2.0 also fits easily into corners. And the side box is simply practical for storing wood where you need it.



Door handle and air regulator are satin chrome plated. The door locks automatically.



Slim 2.0 with optional side box, optional extension box and glass serving plate.

SLIM

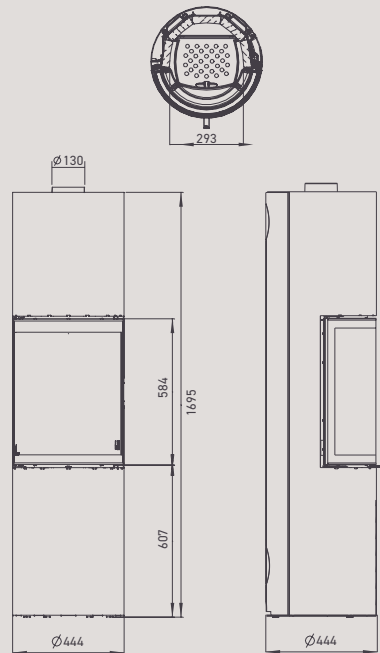
2.0



STILA
2.0



STILA FOR SWEET DREAMS



EXCITINGLY STYLISH

Dream or reality? A total height of 170 cm simply amazes everyone and sometimes even attracts unexpected admirers. With a diameter of only 44 cm, Stila does not take up much space in the room and will enchant you with its extremely elegant and slender appearance. The generous door glass displays the stunning flames in the best possible light and beautiful details, such as the handle embedded in the frame, make Stila an attractive highlight in the room from all angles.



The door glass curves endlessly and shows you a large expanse of fire.

TOWER XTRA HEARTWARMING

TOWER XTRA 2.0

Retreat to the comfort of Tower Xtra 2.0, because the innovative Xtra heat storage technology provides you with up to 12 hours of pleasant warmth. So stoke up the fire in the evening and get up in the morning to find it still comfortably warm, and have breakfast. Its purist design makes Tower Xtra 2.0 an enduring classic and not just a companion for a few hours.



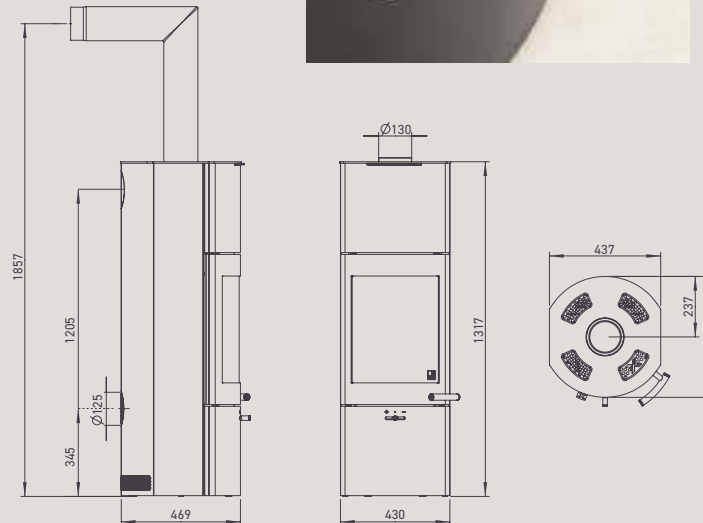
X for the Xtra technology finely crafted in stainless steel.



Innovative: the adjustable convection air ensures the heat dissipates evenly.



The door handle and the single-lever air regulator.



TOWER

XTRA 2.0



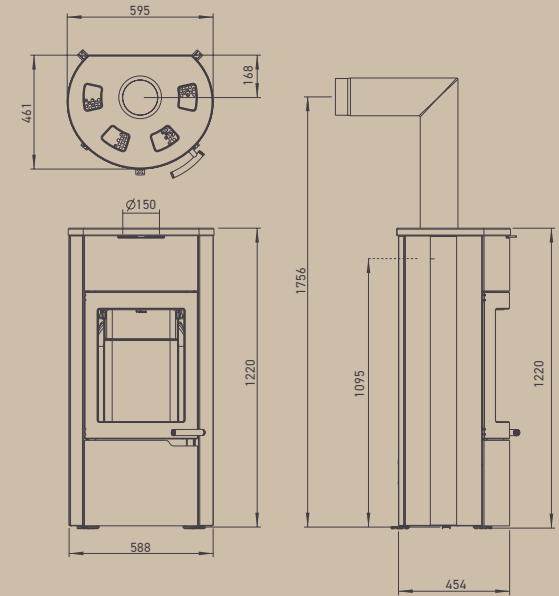
UNO XTRA
ONE LIKE NO OTHER



Uno Xtra with soapstone cladding and top plate, and adjustable convection air vents.



The ashes are disposed of the traditional way using a riddling grate and ash pan.



UNO XTRA

A real giant when it comes to heat output because the Uno Xtra is equipped as standard with the exclusive Xtra heat storage system, which provides up to 12 hours of storage capacity. The Uno is also big in terms of design, regardless of whether in steel, soapstone case or ceramic case. Its soft curvatures simply flatter every room. Round, practical, good.

U N O
X T R A



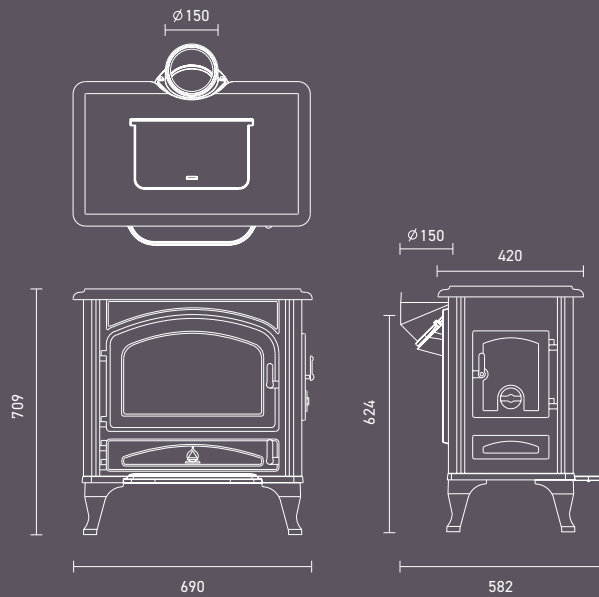


W I E N

HAVE YOU SEEN
VIENNA BY NIGHT

WIEN

The Renaissance of cast iron. The oldest stove material can also be interpreted in a contemporary way: that's just typical of Austroflam! And we've even included modern firing technology into the bargain.



The separate side door is particularly practical for adding long pieces of wood to the fire.



The ash pan is integrated into the front.

COLOURS / FINISHES

Our stoves are available in a truly extravagant range of ceramic, stone and steel claddings. Many ceramic colours allow you to tailor your stove to your individual home decor. Especially since the complete colour range (see above) is available for all ceramic parts - no matter which type of ceramic or stone stove you choose!

The different ceramic glazes are also remarkable: gloss or satin, in elaborate wipe technique or with a stony structure - the choice is yours!



All ceramic glazes are the result of chemical reactions that cannot be influenced. For this reason, colour deviations are quite common and cannot be considered a flaw. Even fine hairline cracks (craquelure) are part of the natural appearance of all glazed ceramic surfaces. In this sense, each ceramic part is an appealingly unique piece.

Our natural stone cladding in soapstone is also a natural product that is made so unique precisely by small deviations in colour and structure. We have tried to reproduce the colour tones as true to the original as possible.

Should you nevertheless notice any discrepancies, then these are due to deviations in printing technology, and to the natural variations in colour of the ceramic glazes or of the steel claddings.

*The details are not the details,
they are the design.*

DETAILS
COLOURS /
FINISHES

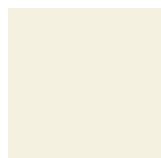


CERAMIC

*with relief structure



enamel white



smoky quartz



sand



hemp



medium sandstone



earth



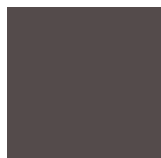
fire



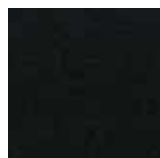
ruby red



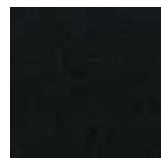
ron corten (Sam)



dark basalt



black



black satin



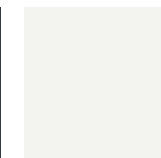
matt black corrugated (FYNN Xtra) *



namel white "groove" (FYNN XTRA) *



dark anthracite (CODY)



bright white (CODY)



glossy moonstone corrugated (FYNN Xtra) *



glossy tourmaline corrugated (FYNN Xtra) *

STONE



soapstone



stone grey

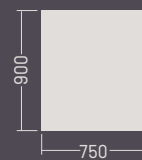


FLUE PIPES / BASE PLATES

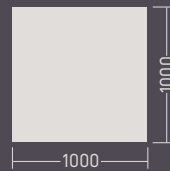
BASE PLATES

Useful accessories to protect your high-quality floors:
Our floor plates made of steel (2 mm thick, cast-iron
grey, powder-coated and with bevelled edges) or glass
(6 mm thick, specially treated, high-strength and
robust).

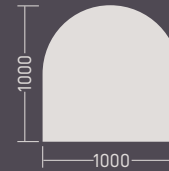
GLASS



Item No. 630036



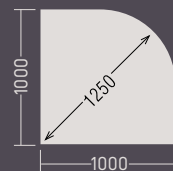
Item No. 630029



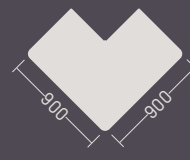
Item No. 630028



Item No. 630066
for Fynn



Item No. 630030



Item No. 630067
for Slim

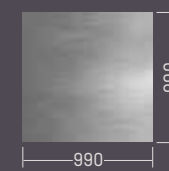


Item No. 630068
for Clou Xtra

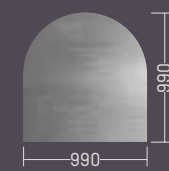
STEEL



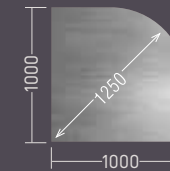
Item No. 630018



Item No. 630024



Item No. 630023



Item No. 630059



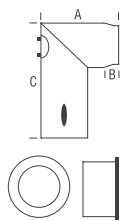
Item No. 630060
for Lounge



Item No. 630062
for Fynn

FLUE PIPES

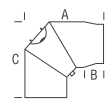
Original Austroflamm flue pipes are made of 2 mm thick high-quality steel. Workmanship focuses on the visible area of application: precise welding seams and highly heat-resistant (up to 600 °C), colour-coordinated special paint. The flue pipes are drawn in at one end. Your specialist dealer will be happy to advise you on the optimum solution for you!



FLUE PIPE SET
consisting of angled pipe with cleaning door and throttle flap, double wall lining and wall rosette.

Item No.	∅	A	B	C
620025	120	500	60	625
620066	130	500	60	635
620067	150	500	60	655
620068	180	500	60	685


Specifications in mm



90°-ELBOWS
(1) Adjustable elbows with cleaning flap
(2) Fixed elbows with cleaning flap

Item No.	∅	A	B	C	
(1)	(2)				
620016	620017	120	245	60	245
620073	620074	130	250	60	250
620044	620045	150	275	60	275
620049	620050	180	295	60	295

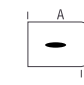
Specifications in mm



WALL ROSETTE

Item No.	∅	A	B
620021	120	195	125
620080	130	195	135
620058	150	225	155
620060	180	285	185
620081	130	400	137
620059	150	400	157

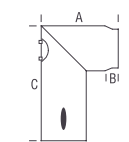
Specifications in mm



FLUE PIPE
with adjustable and lockable throttle flap

Item No.	∅	A	B
620027	120	250	60
620078	130	250	60
620054	150	250	60
620055	180	250	60

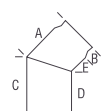
Specifications in mm



ANGLED PIPE
with cleaning door; throttle flap which can be adjusted to 11 positions from 0°- 90° and locked

Item No.	∅	A	B	C
620011	120	500	60	625
620082	130	500	60	635
620032	150	500	60	655
620033	180	500	60	685

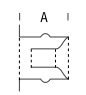
Specifications in mm



45°-ELBOWS
Fixed elbows with cleaning flap

Item No.	∅	A	B	C	D	E
620019	120	122	60	180	128	10
620076	130	130	60	180	120	10
620047	150	140	60	180	110	10
620052	180	146	60	180	104	10

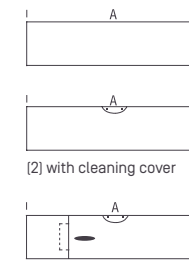
Specifications in mm



DOUBLE WALL LINING
of 1 mm steel

Item No.	∅	A
620026	120	120
620084	130	120
620085	150	135
620086	180	135

Specifications in mm



FLUE PIPE

Item No.	∅	A	B		
(1)	(2)	(3)			
620012		120	250	60	
620072		130	250	60	
620034		150	250	60	
620035		180	250	60	
620013		120	500	60	
620065		130	500	60	
620036		150	500	60	
620037		180	500	60	
620014	620015	120	1000	60	
620069	620070	620071	130	1000	60
620038	620039	620040	150	1000	60
620041	620042	620043	180	1000	60

Specifications in mm

OUR MODELS

AT A GLANCE



BONO XTRA



CLOU XTRA



CLOU COMPACT



CLOU COMPACT
COOK



CLOU XTRA
BACK



CODY



DEXTER 2.0 / S3



ELISABETH



KYLIE XTRA



LOUNGE XTRA



LUCA COOK



LUCY COOK



LUX



PALLAS



PALLAS BACK



ELISE



FYNN XTRA



G1



HEIDI BACK 2.0



IVY 2.0



JINI XTRA



KOKO 2.0



KOKO XTRA



FLOK 2.0



SINA



SINA XTRA



SLIM 2.0



STILA



TOWER XTRA 2.0

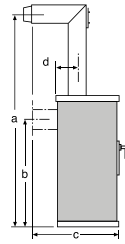


UNO XTRA

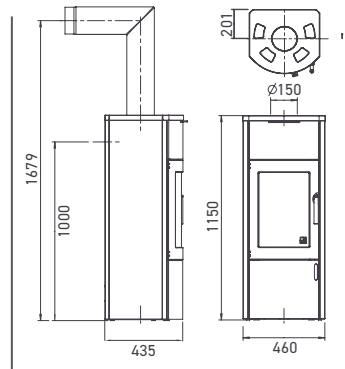


WIEN

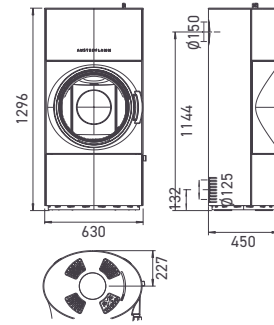
Dimension a and c:
with original elbow piece



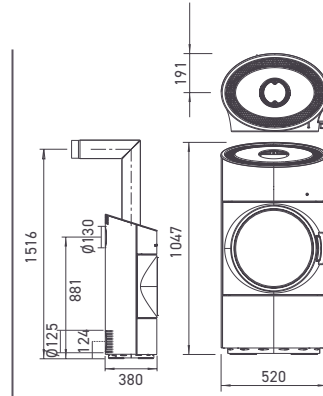
BONO XTRA



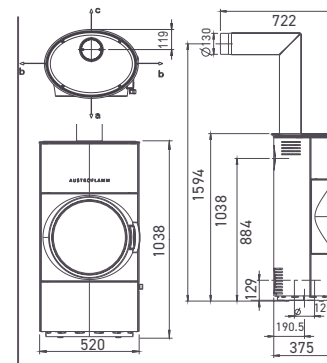
CLOU XTRA



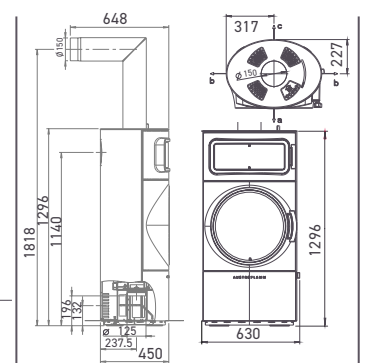
CLOU COMPACT



CLOU COMPACT COOK



CLOU XTRA BACK



DIMENSIONS AND WEIGHT

h x w x d	1150 x 460 x 435 mm	1296 x 630 x 450 mm	1047 x 520 x 380 mm	1038 x 520 x 375 mm	1296 x 630 x 450 mm
Firebox (h x w x d)	510 x 257 x 260 mm	389 x 432 x 245 mm	349 x 328 x 225 mm	358 x 328 x 212 mm	389 x 432 x 245 mm
Weight STM / KM / SPM	237 / - / 322 kg	273 / - / - kg	114 / - / - kg	120 / - / - kg	324 / - / - kg
Flue pipe outlet	Ø 150 mm	Ø 150 mm	Ø 130 mm	Ø 130 mm	Ø 150 mm
Flue pipe outlet centre	1000 mm	1144 mm	880 mm	884 mm	1144 mm

OUTPUT

Nominal heat output as per EN 13240	5 kW	8 kW	6 kW	6 kW	8 kW
Min. / Max. heating capacity	2.5 / 7 kW	4 / 11 kW	3.5 / 8 kW	- / 6 kW	- / 8 kW
Energy efficiency class	A	A	A	A	A
Room heating capacity (depending on the building insulation)	48 - 124 m ³	98 - 255 m ³	65 - 165 m ³	65 - 165 m ³	98 - 255 m ³

FEATURES

Xtra heat storage technology	XTRA* standard / 107 kg	XTRA* standard / 108 kg	XTRA* -	-	standard / 108 kg XTRA*
Heat Memory System	HMS* -	-	-	-	-
Type 1	standard, self-locking door	standard, self-locking door	standard, self-locking door	-	-
Cast-iron cover	standard	-	-	-	-
Warming compartment (h x w x d)	-	-	-	-	-
Baking compartment (h x w x d)	-	-	-	-	standard, 445 x 175 x 255 mm
Hotplate (w x d) / diameter	-	-	-	standard	-
KM ceramic cladding	-	-	-	-	-
STM steel cladding	standard	standard	standard	standard	standard
SPM soapstone cladding / cover	accessory	-	-	-	-
Flat bed firing	-	-	-	-	-
Ash pan	standard	-	-	-	-
Ash box	-	standard	standard	standard	standard
Dimensions (as per drawing top left, with Austroflam angled pipe)	a 1679 / b 1000 / c 610 / d 201 mm	a 1813 / b 1144 / c 598 / d 227 mm	a 1516 / b 880 / c 574 / d 189 mm	a 1594 / b 884 / c 722 / d 119 m	a 1813 / b 1144 / c 598 / d 227
External air connection / operation independent of room air	rear or bottom	rear or bottom	rear or bottom	rear or bottom	rear or bottom

DATA FOR THE CHIMNEY SWEEP

Exhaust gas mass flow	4.2 g/s	6.6 g/s	5.43 g/s	7.2 g/s	7.4 g/s
Exhaust gas temperature	322 °C	357 °C	322 °C	299 °C	349 °C
Minimum discharge pressure at nominal heat output	12 Pa	12 Pa	13 Pa	12 Pa	12 Pa
At 0.8 times nominal heat output	10 Pa	10 Pa	10 Pa	12 Pa	12 Pa
Safety distances a/b/c in mm *	900/270/160	1100/420/200	1000/250/150	Value under review!	Value under review!

*a = front, b = side, c = rear. Applies only to components made of combustible construction materials with a thermal resistance < 1,2 m² k/W

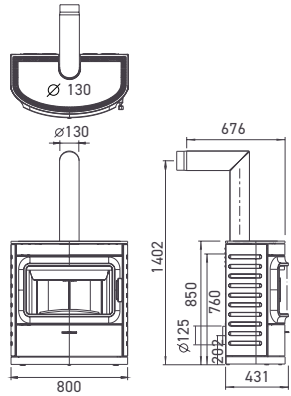
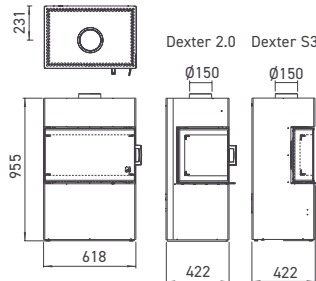
NEW

NEW

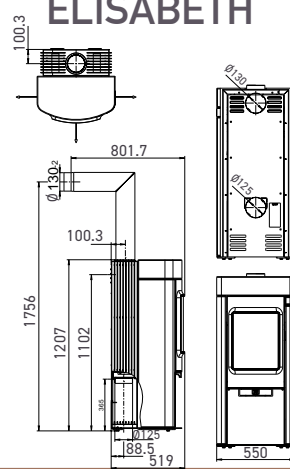
NEW

NEW

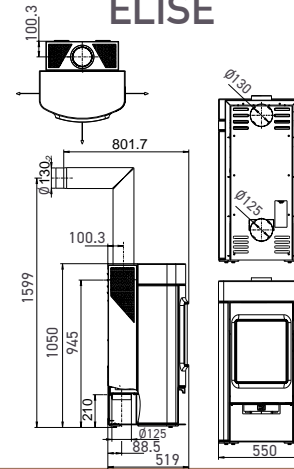
CODY

DEXTER 2.0/
DEXTER S3

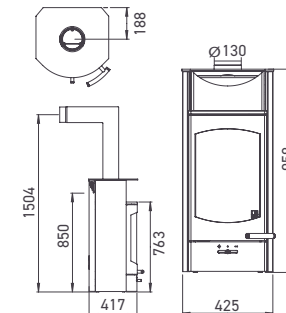
ELISABETH



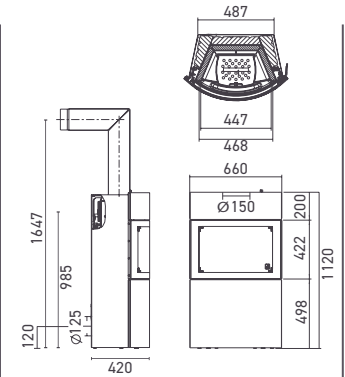
ELISE



FLOK 2.0



FYNN XTRA



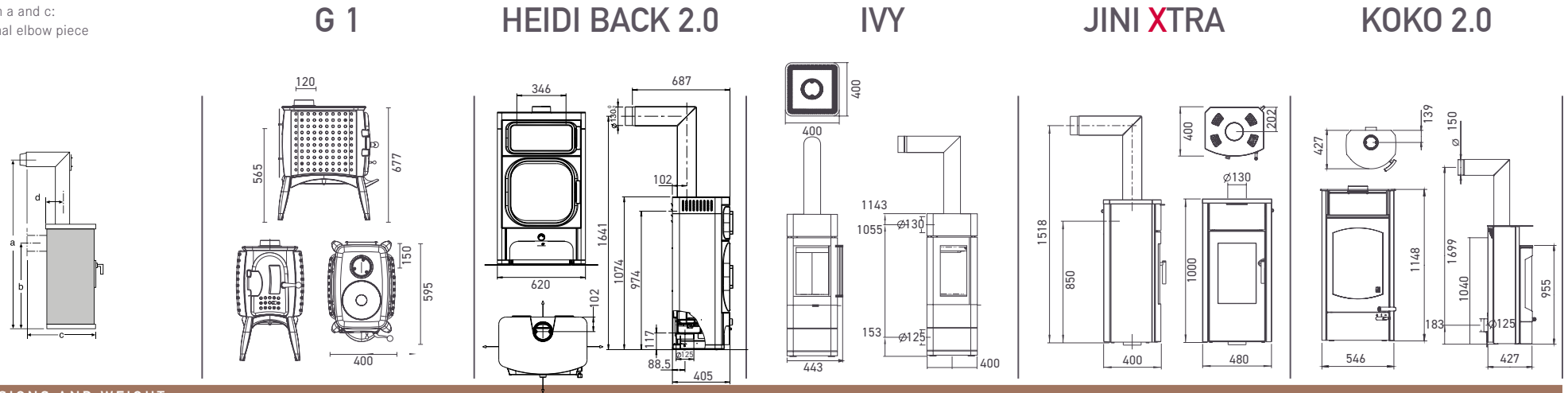
850 x 800 x 431 mm	955 x 618 x 422 mm	1207 x 550 x 519 mm	1050 x 550 x 519 mm	958 x 425 x 417 mm	1120 x 660 x 420 mm
324 x 514 x 244 mm	390/360 x 480/430 x 240/230 mm	383 x 297 x 268 mm	383 x 297 x 268 mm	379 x 282 x 248 mm	438 x 447 x 233 mm
195 / 205 / - kg	145 / 165 / - kg	- / - / 291.5 kg	- / - / 255.5 kg	110 / - / 149 kg	231 / - / - kg
ø 130 mm	ø 150 mm	ø 130 mm	ø 130 mm	ø 130 mm	ø 150 mm
760 mm	860 mm	1102 mm	945 mm	850 mm	985 mm

8 kW	6 kW	BRAND NEW!	BRAND NEW!	4 kW	6 kW
3.5 / 9 kW	3.5 / 8 kW	Technical data under review, on the homepage as soon as available!	Technical data under review, on the homepage as soon as available!	2.5 / 6 kW	3.5 / 8 kW
A +	A			A +	A +
82 - 210 m ³	65 - 165 m ³			34 - 88 m ³	65 - 165 m ³

-	-	-	-	-	standard / 105 kg
accessory/ 59 kg	accessory / 45 kg	accessory / 43 kg	accessory / 43kg	accessory / 77 kg	XTRA*
HMS*	HMS*	HMS*	HMS*	HMS*	
standard, self-locking door	standard, self-locking door	standard, self-locking door	standard, self-locking door	standard, self-locking door	standard, self-locking door
-	-	-	-	-	-
-	-	-	-	340 x 180 mm, ceramic, soapstone	-
-	-	-	-	-	-
-	-	-	-	-	-
accessory	-	-	-	-	accessory
standard	standard	-	-	standard	standard
-	-	standard	standard	accessory	-
-	-	-	-	-	-
-	-	-	-	-	-
standard	standard	standard	standard	standard	standard
a 1402 / b 760 / c 676 / d 97 mm	a 1521 / b 860 / c 604 / d 231 mm	a 1756 / b 1102 / c 801.7 / d 100.3 mm	a 1599 / b 945 / c 801.7 / d 100,3 mm	a 1504 / b 850 / c 605 / d 188 mm	a 1647 / b 985 / c 582 / d 200 mm
rear	rear or bottom	rear or bottom	rear or bottom	rear	rear or bottom

7.8 g/s	6 / 6.41 g/s	BRAND NEW!	BRAND NEW!	3.92 g/s	5 g/s
296 °C	326 / 302 °C	Technical data under review, on the homepage as soon as available!	Technical data under review, on the homepage as soon as available!	343 °C	350 °C
12 Pa	12 / 11 Pa			12 Pa	12 Pa
10 Pa	10 / 8 Pa			10 Pa	10 Pa
800/200/120	1200/800 or 300/100, 1100/600/150			800/150/100	950/330/230

Dimension a and c:
with original elbow piece



DIMENSIONS AND WEIGHT

h x w x d	677 x 400 x 595 mm (cast)	1074 x 620 x 405 mm	1143 x 400 x 400 mm	1000 x 480 x 400 mm	1148 x 546 x 427 mm
Firebox (h x w x d)	300 x 220 x 400 mm	355 x 418 x 270 mm	439 x 267 x 228 mm	379 x 282 x 224 mm	490 x 388 x 267 mm
Weight STM / KM / SPM	85 / - / - kg	173 / - / - kg	125 / - / - kg	226 / - / -kg	152 / - / 177 kg
Flue pipe outlet	ø 120 mm	ø 130 mm	ø 130 mm	ø 130 mm	ø 150 mm
Flue pipe outlet centre	565 mm	974 mm	1055 mm	850 mm	1040 mm

OUTPUT

Nominal heat output as per EN 13240	6 kW	7 kW	5 kW	4 kW	6 kW
Min. / Max. heating capacity	3.5 / 8 kW	3.5 / 9 kW	2.5 / 7,0 kW	2.5 / 6 kW	3.5 / 8 kW
Energy efficiency class	A	A +	A +	A +	A
Room heating capacity (depending on the building insulation)	65 - 165 m ³	82 - 210 m ³	48 - 124 m ³	34 - 88 m ³	65 - 165 m ³

FEATURES

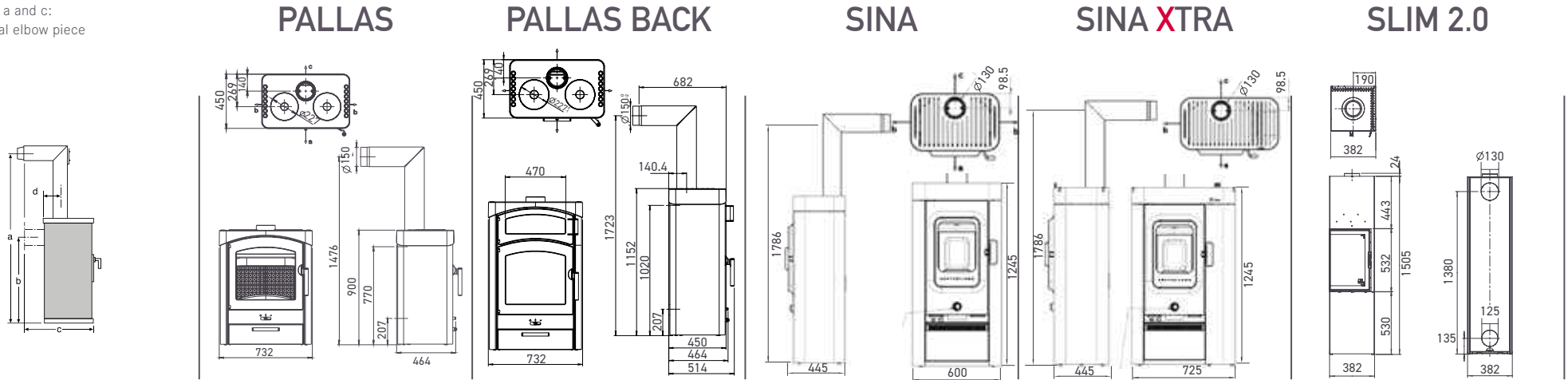
Xtra heat storage technology	XTRA*	-	-	standard / 101 kg	XTRA*	-	
Heat Memory System	HMS*	accessory / 66 kg	HMS*	accessory / 35 kg	HMS*	accessory / 77 kg	HMS*
Type 1	standard	standard, self-locking door	standard, self-locking door	standard, self-locking door	standard, self-locking door	standard, self-locking door	
Cast-iron cover	standard	-	-	standard	-	-	
Warming compartment (h x w x d)	-	-	-	-	-	425 x 220 mm, ceramic, soapstone	
Baking compartment (h x w x d)	-	178 x 418 x 302 mm	-	-	-	-	
Hotplate (w x d) / diameter	standard	-	-	-	-	-	
KM ceramic cladding	-	-	-	-	-	-	
STM steel cladding	-	standard	standard	standard	standard	standard	
SPM soapstone cladding / cover	-	-	-	-	-	accessory	
Flat bed firing	standard	-	-	-	-	-	
Ash pan	-	-	-	standard	-	-	
Ash box	-	standard	standard	-	standard	-	
Dimensions (as per drawing top left, with Austroflam angled pipe)	a 1237 / b 565 / c 822 / d 154 mm	a 1641 / b 974 / c 687 / d 102 mm	a 1699 / b 1055 / c 583 / d 200 mm	a 1518 / b 850 / c 583 / d 202 mm	a 1699 / b 1040 / c 665 / d 139 mm	-	
External air connection / operation independent of room air	-	rear or bottom	rear or bottom	bottom	rear	-	

DATA FOR THE CHIMNEY SWEEP

Exhaust gas mass flow	5.2 g/s	6.41 g/s	4.2 g/s	3.9 g/s	4.4 g/s
Exhaust gas temperature	330 °C	262 °C	263 °C	343 °C	331 °C
Minimum discharge pressure at nominal heat output	12 Pa	10 Pa	12 Pa	12 Pa	12 Pa
At 0.8 times nominal heat output	10 Pa	8 Pa	10 Pa	10 Pa	10 Pa
Safety distances a/b/c in mm *	800/700/400	1300/200/200	1000/750/200	1000/270/160	1200/540/180

*a = front, b = side, c = rear. Applies only to components made of combustible construction materials with a thermal resistance < 1,2 m2 k/W

Dimension a and c:
with original elbow piece



DIMENSIONS AND WEIGHT

h x w x d	900 x 732 x 464 mm	1152 x 732 x 464 mm	1245 x 600 x 445 mm	1245 x 725 x 445 mm	1505 x 382 x 382 mm
Firebox (h x w x d)	350 x 520 x 225 mm	350 x 520 x 225 mm	371 x 396 x 267,4 mm	371 x 396 x 267,4 mm	550 x 262 x 252 mm
Weight STM / KM / SPM	170 / 205 / 265 kg	207 / 225 / 325 kg	137 / - / - kg	323 / - / - kg	140 / - / - kg
Flue pipe outlet	ø 150 mm	ø 150 mm	ø 130 mm	ø 130 mm	ø 130 mm
Flue pipe outlet centre	770 mm	1020 mm	1135 mm	1135 mm	1380 mm

OUTPUT

Nominal heat output as per EN 13240	9 kW	9 kW	6 kW	6 kW	5 kW
Min. / Max. heating capacity	4.5 / 13 kW	4.5 / 13 kW	3.5 / 8,0 kW	3.5 / 8,0 kW	3 / 7 kW
Energy efficiency class	A	A	A+	A+	A+
Room heating capacity (depending on the building insulation)	114 - 305 m ³	114 - 305 m ³	65 - 165 m ³	65 - 165 m ³	48 - 124 m ³

FEATURES

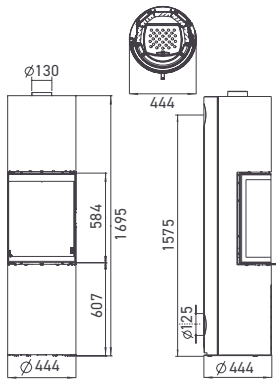
Xtra heat storage technology	XTRA* -	-	-	standard / 148 kg	XTRA* -
Heat Memory System	HMS* accessory / 114 kg	HMS* accessory / 114 kg	HMS* accessory / 68 kg	-	HMS* accessory / 60 kg
Type 1	standard	standard	standard, self-locking door	standard, self-locking door	standard, self-locking door
Cast-iron cover	standard	standard	standard	standard	-
Warming compartment (h x w x d)	-	standard	-	-	-
Baking compartment (h x w x d)	-	176 x 395 x 292 mm	-	-	-
Hotplate (w x d) / diameter	standard	-	-	-	-
KM ceramic cladding	accessory	accessory	-	-	-
STM steel cladding	standard	standard	standard	standard	standard
SPM soapstone cladding / cover	-	-	-	-	-
Flat bed firing	standard	standard	-	-	-
Ash pan	-	-	-	-	-
Ash box	accessory	accessory	standard	standard	standard
Dimensions (as per drawing top left, with Austroflamm angled pipe)	a 1474 / b 770 / c 663 / d 140 mm	a 1723 / b 1020 / c 663 / d 140 mm	a 1786 / b 1135 / c 678 / d 98.5	a 1786 / b 1135 / c 678 / d 98.5	a 2060 / b 1380 / c 562 / d 190 mm
External air connection / operation independent of room air	rear	rear	rear or bottom	rear or bottom	rear or bottom

DATA FOR THE CHIMNEY SWEEP

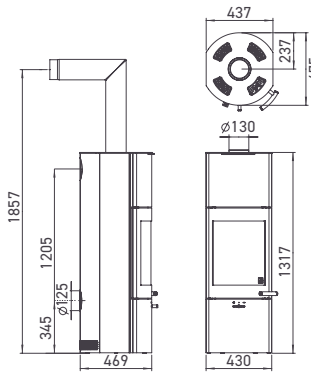
Exhaust gas mass flow	9.2 g/s	9.2 g/s	4.4 g/s	4.4 g/s	5.8 g/s
Exhaust gas temperature	310 °C	310 °C	271 °C	271 °C	237 °C
Minimum discharge pressure at nominal heat output	12 Pa	12 Pa	12 Pa	12 Pa	12 Pa
At 0.8 times nominal heat output	10 Pa	10 Pa	10 Pa	10 Pa	10 Pa
Safety distances a/b/c in mm *	800/200/200	800/200/200	1000/250/150	1000/50/150	900/230/230

*a = front, b = side, c = rear. Applies only to components made of combustible construction materials with a thermal resistance ≤ 1,2 m² k/W

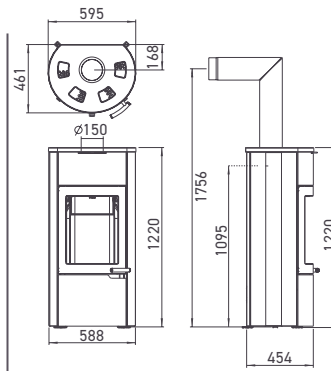
STILA



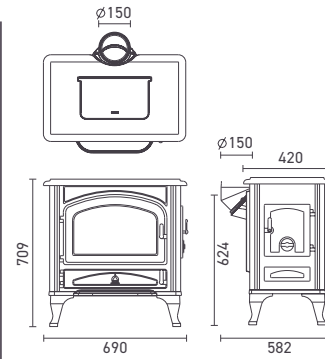
TOWER XTRA 2.0



UNO XTRA



WIEN



1695 x 444 x 444 mm	1317 x 430 x 469 mm	1220 x 588 x 454 mm	709 x 690 x 586 mm (cast)
558 x 291 x 291 mm	379 x 282 x 248 mm	497 x 363 x 275 mm	315 x 510 x 250 mm
142 / - / - kg	263 / - / - kg	252 / 283 / 312 kg	160 / - / - kg
ø 130 mm	ø 130 mm	ø 150 mm	ø 150 mm
1575 mm	1205 mm	1095 mm	624 mm

5	4 kW	7 kW	6 kW
2.5 / 7 kW	2.5 / 6 kW	3.5 / 9 kW	4 / 9 kW
A +	A +	A	A
48 - 124 m ³	34 - 88 m ³	82 - 210 m ³	65 - 165 m ³

-	standard / 130 kg	XTRA*	standard / 116 kg	XTRA*	-
accessory / 40 kg	HMS*	-	-	-	-
standard, self-locking door	standard, self-locking door	standard, self-locking door	standard, self-locking door	standard	standard
-	-	-	-	-	-
-	-	-	-	-	-
-	-	-	-	-	-
-	-	-	-	-	-
-	-	-	accessory	-	-
standard	standard	standard	standard	standard	standard
-	-	-	accessory	-	-
-	-	-	-	-	-
-	-	-	standard	standard	standard
standard	standard	-	-	-	-
a 2257 / b 1575 / c 605 / d 222 mm	a 1857 / b 1205 / c 605 / d 237 mm	a 1756 / b 1095 / c 651 / d 168 mm	a 1277 / b 667 / c 870 / d 33 mm	-	-
rear or bottom	rear or bottom	rear	-	-	-

4.1 g/s	3.92 g/s	6.5 g/s	6.1 g/s
311 °C	343 °C	300 °C	314 °C
12 Pa	12 Pa	12 Pa	11 Pa
10 Pa	10 Pa	10 Pa	9 Pa
wall 1000/610/120, corner 800/120/-/700	1100/400/130	800/130/150	1200/550 bzw. 650 Side door / 500 or 200 with radiation protection plate



Heating up
WITH TASTE!

STARTER BOX

You will receive this high-quality gift from us FREE OF CHARGE
with your brand new Austroflamm quality stove!



NEW

CONTENTS

Wood moisture meter



Flammring® quick firelighter



Arc lighter



Oven glove



Glass cleaner



Arolla shavings

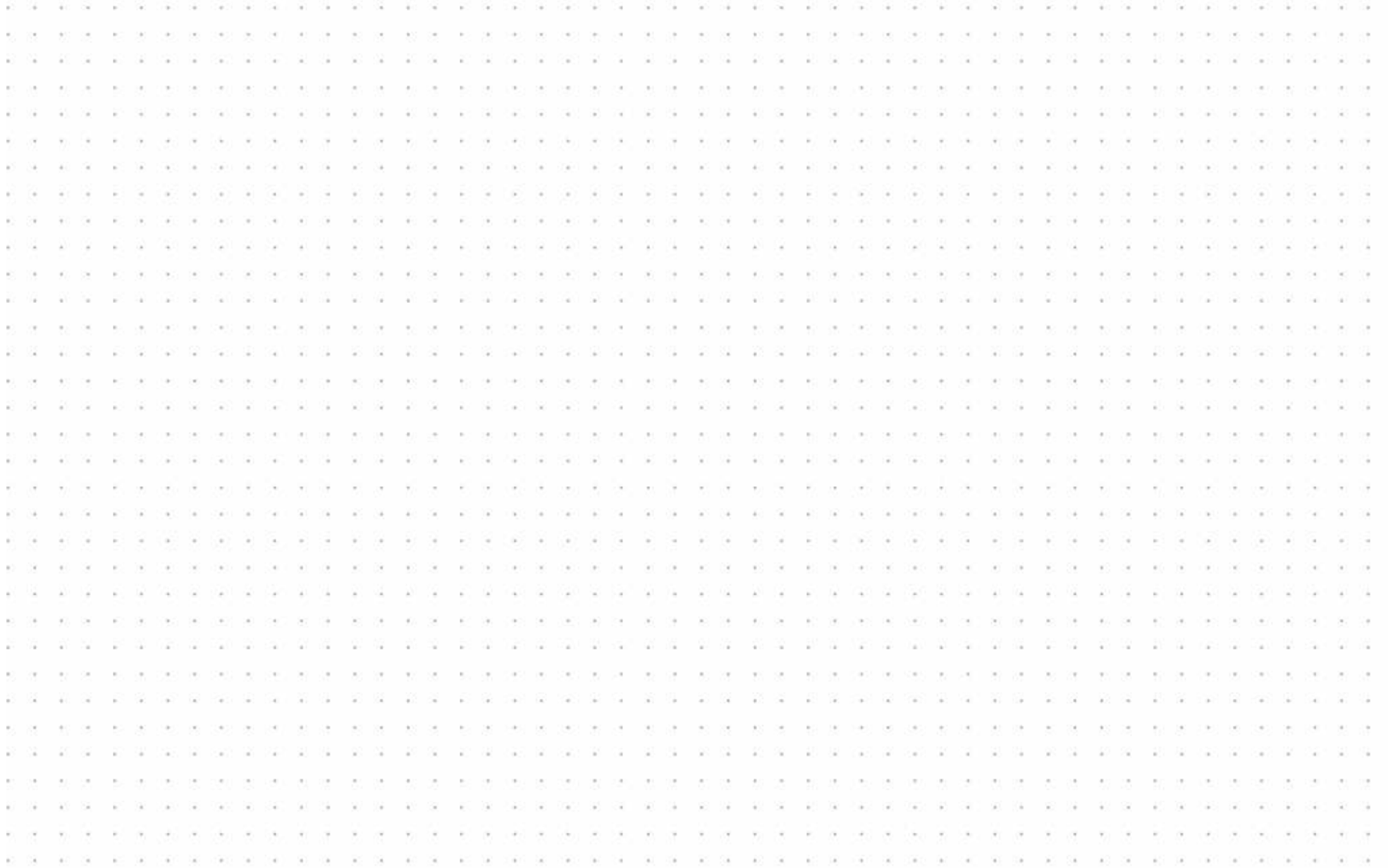


Arolla - Cultivation set





Notes





www.austroflamm.com



Austroflamm stoves are sold worldwide via specialist retailers. Visit our homepage for more information.

AUSTROFLAMM GmbH, Austroflamm-Platz 1, A-4631 Krenglbach, T: +43 7249 46443-0, info@austroflamm.com